
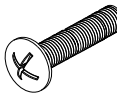
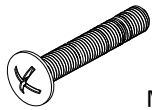


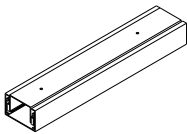
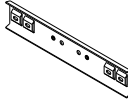
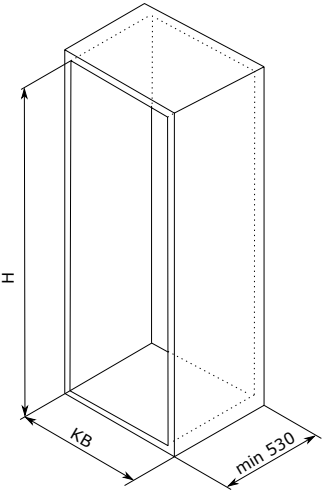
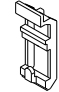

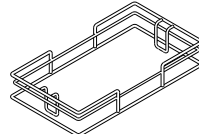
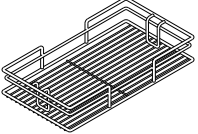
	A	1x	 4x16	H	12x																																																								
			 M6x20	I	2x																																																								
			 M6x25	J	4x																																																								
			 M4x25	K	*																																																								
			 M6	L	*																																																								
	B	1x	<p>① *</p> <table border="1"> <thead> <tr> <th>H</th> <th>C</th> <th>D</th> <th>E</th> <th>F</th> <th>G</th> <th>K</th> <th>L</th> </tr> </thead> <tbody> <tr> <td>1250 - 1400</td> <td>2</td> <td>8</td> <td>2</td> <td>4</td> <td>4</td> <td>4</td> <td>4</td> </tr> <tr> <td>1400 - 1550</td> <td>3</td> <td>10</td> <td>3</td> <td>5</td> <td>5</td> <td>6</td> <td>6</td> </tr> <tr> <td>1550 - 1700</td> <td>3</td> <td>10</td> <td>3</td> <td>5</td> <td>5</td> <td>6</td> <td>6</td> </tr> <tr> <td>1700 - 1850</td> <td>3</td> <td>12</td> <td>3</td> <td>6</td> <td>6</td> <td>6</td> <td>6</td> </tr> <tr> <td>1850 - 2000</td> <td>3</td> <td>12</td> <td>3</td> <td>6</td> <td>6</td> <td>6</td> <td>6</td> </tr> <tr> <td>2000 - 2150</td> <td>3</td> <td>14</td> <td>3</td> <td>7</td> <td>7</td> <td>6</td> <td>6</td> </tr> </tbody> </table>			H	C	D	E	F	G	K	L	1250 - 1400	2	8	2	4	4	4	4	1400 - 1550	3	10	3	5	5	6	6	1550 - 1700	3	10	3	5	5	6	6	1700 - 1850	3	12	3	6	6	6	6	1850 - 2000	3	12	3	6	6	6	6	2000 - 2150	3	14	3	7	7	6	6
H	C	D				E	F	G	K	L																																																			
1250 - 1400	2	8				2	4	4	4	4																																																			
1400 - 1550	3	10				3	5	5	6	6																																																			
1550 - 1700	3	10				3	5	5	6	6																																																			
1700 - 1850	3	12	3	6	6	6	6																																																						
1850 - 2000	3	12	3	6	6	6	6																																																						
2000 - 2150	3	14	3	7	7	6	6																																																						
	C	*																																																											
	D	*																																																											
	E	*																																																											
 KB 300 400 450	F	*																																																											
 KB 300 400 450	G	*																																																											

