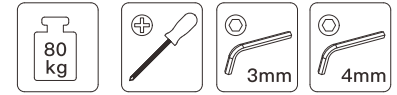


CUTTABLE IN-LINE SLIDING DOOR SYSTEM

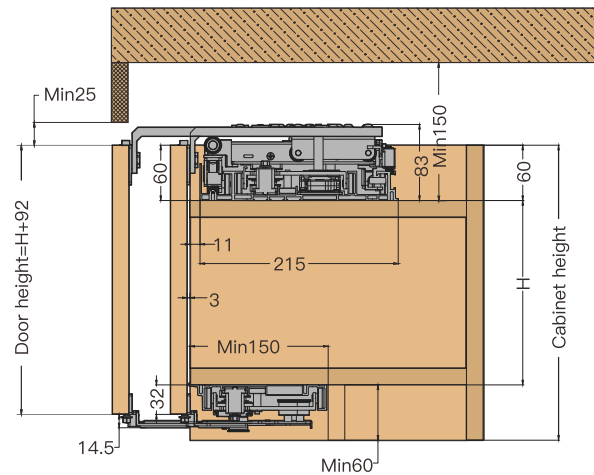


Accessories	Qty	3D sketch
T803 Upper rail	1	
T803 Down rail	1	
T803 Upper runner middle regulator	2	
T803 Upper runner side regulator	2	
T803 Down runner middle regulator	2	
T803 Down runner side regulator	2	
15-8 Spanner	1	
T803 Side Spring	2	
TH00020 Spacer(φ20*2)	4	

Product specification

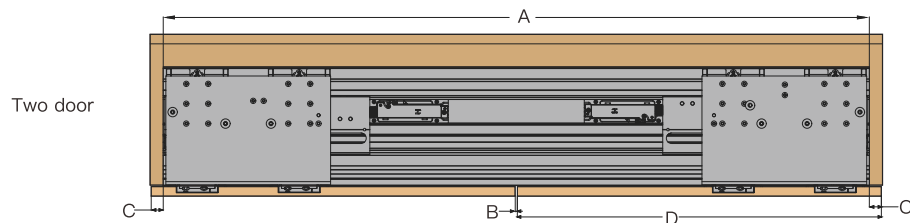
Item code	Cabine tinner width	Cuttable rail range	Remark
T803-2050	2050mm	1650mm~2050mm	Cut freely within the range
T803-2450	2450mm	2050mm~2450mm	Cut freely within the range
T803-2850	2850mm	2450mm~2850mm	Cut freely within the range
T803-1650	1650mm	1350mm~1650mm	Cut freely within the range

2. Installation(Door thickness Handle included ≤45mm)

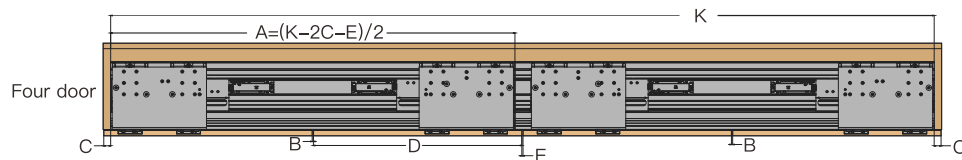


3. Door size

3.1 Door panel cover side panel

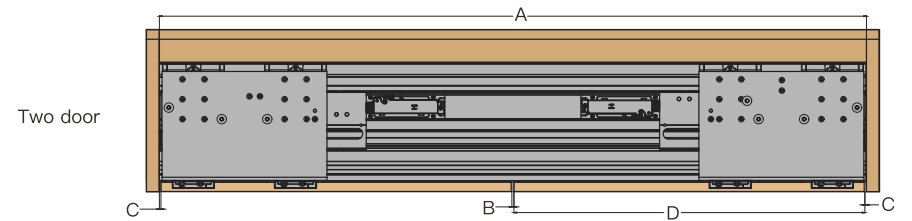


A=Inner width of cabinet
B=Gap between two doors (≥4mm)
C=Side panel width(≤25mm)
D=Door width= (A+2C-B) /2

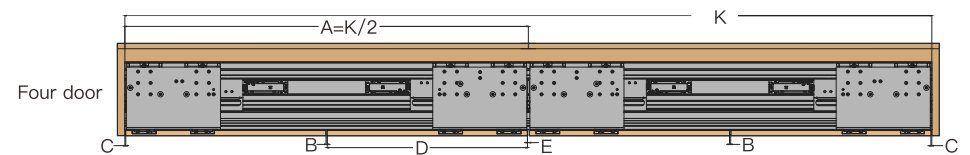


A=Single product standard length
B=Gap between two doors (≥4mm)
C=Side panel width(≤25mm)
D=Door width= (K+2C-2B-E) /4
E=Gap between middle two doors(two doors not open at same time, E≥3mm,two doors open at same time,E≥6mm)
K=Four door Inner width of cabinet
***According to A value to choose T803A/B/C/D,remark Single rail lengths K/2

3.2 Door panel not cover side panel

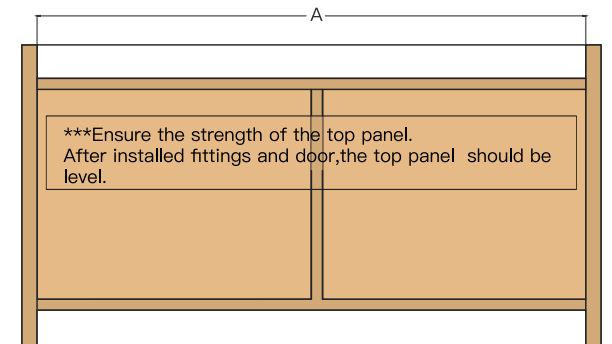
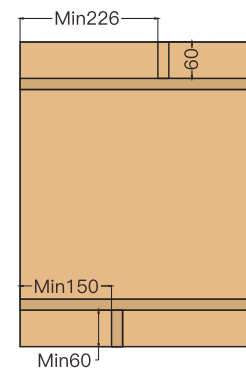


A=Inner width of cabinet
B=Gap between two doors (≥4mm)
C=Side panel width(≥3mm)
D=Door width= (A-2C-B) /2



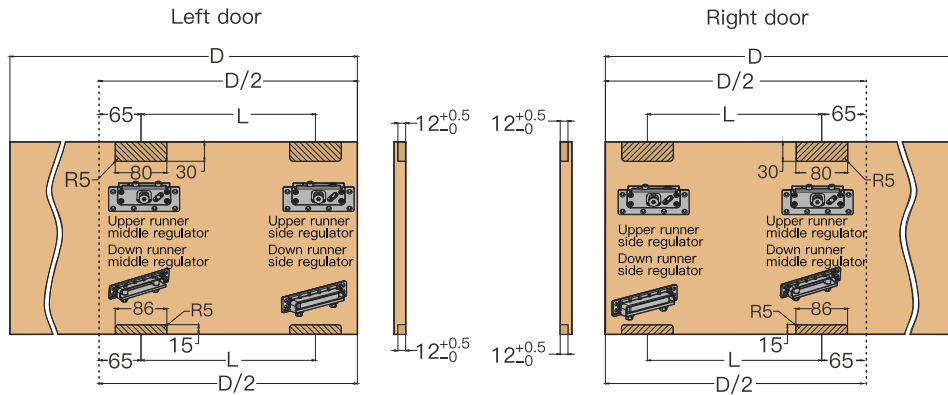
A=Single product standard length
B=Gap between two doors (≥4mm)
C=Side panel width(≥3mm)
D=Door width= (K-2C-2B-E) /4
E=Gap between middle two doors(two doors not open at same time, E≥3mm,two doors open at same time,E≥6mm)
K=Four door Inner width of cabinet
***According to A value to choose T803A/B/C/D,remark Single rail lengths K/2

4. Cabinet requirements

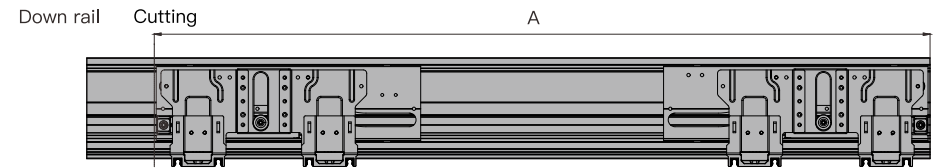
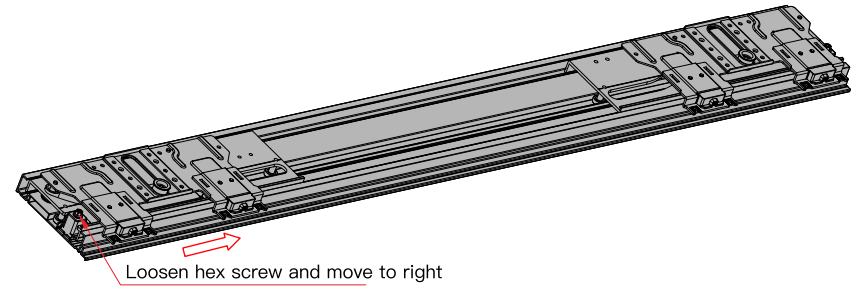
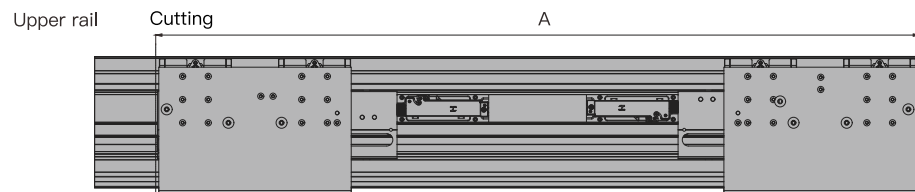
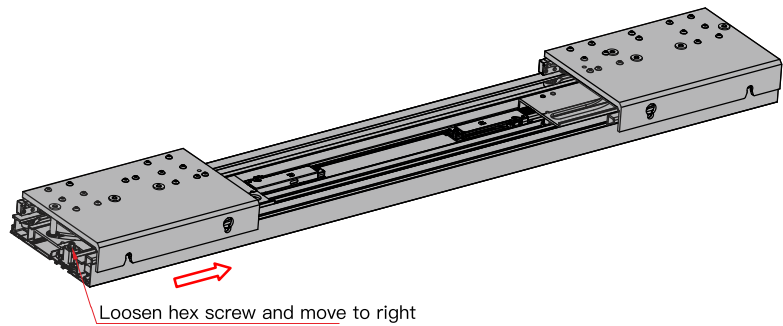


5. Installation

Product Specification	T803-2050	T803-2450	T803-2850	T803-1650
L	270	370	470	195

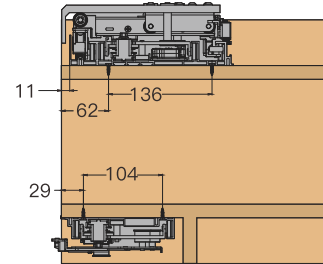


6. Cuttable rail(Any side of rail can be cut)

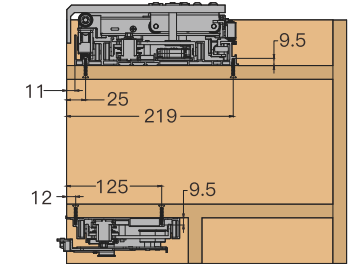


7. Install Upper rail and down rail

Installation method 1

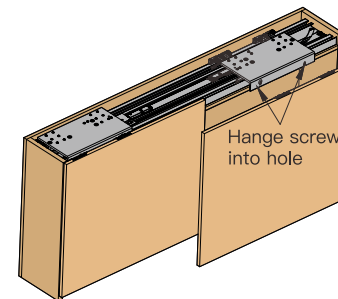


Installation method 2

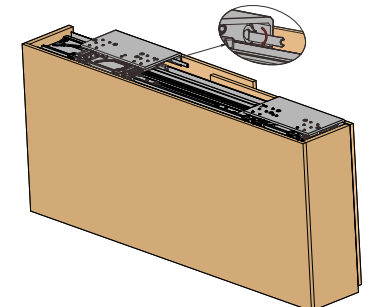


8. Install door(Same installation method of left and right doors)

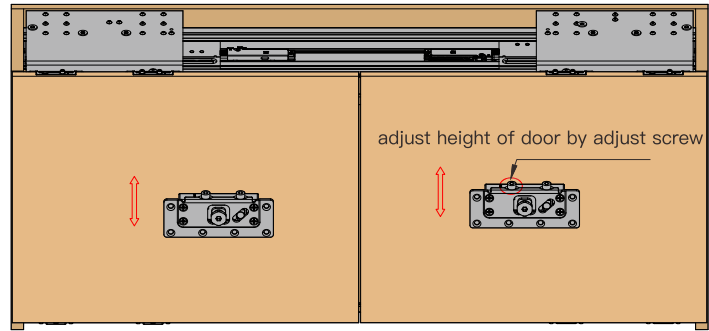
8.1 Pull right upper roller and hang screw into hole



8.2 Fix the screws by wrench (Do not tighten)

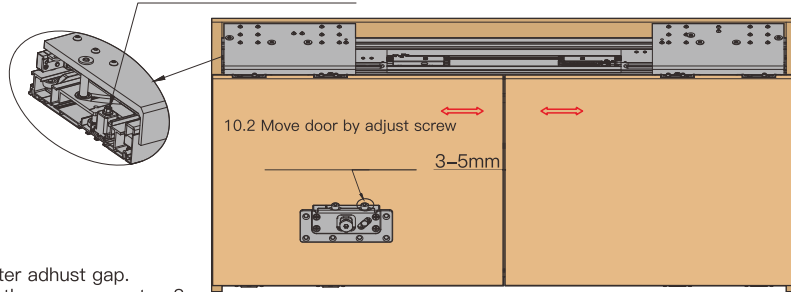


9. Adjust door level (same installation methods of left and right doors)

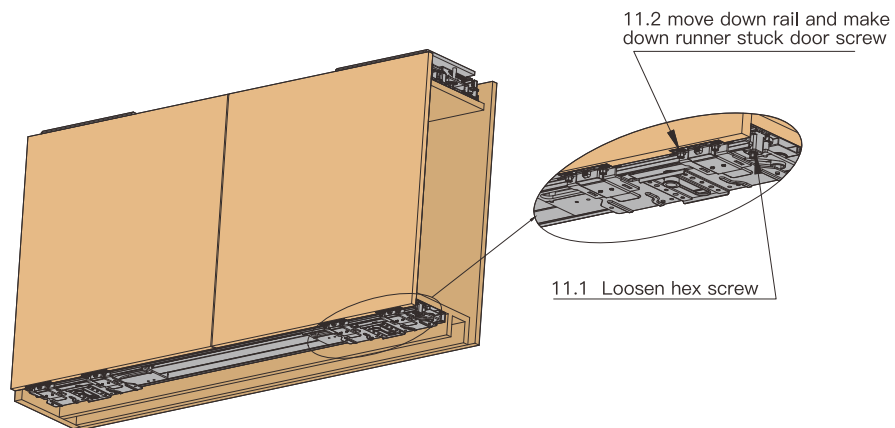


10. Adjust gap (same installation methods of left and right doors)

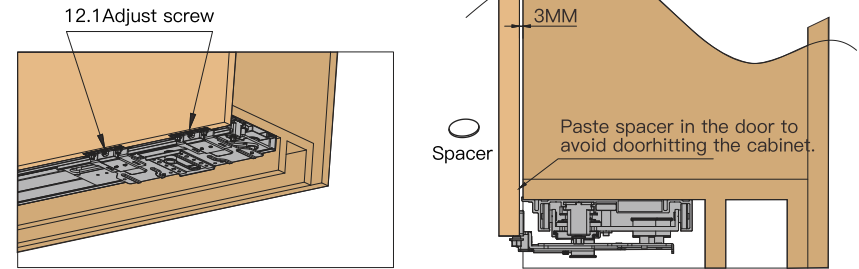
10.1 Loosen hex screw to move door to proper position and lock screw



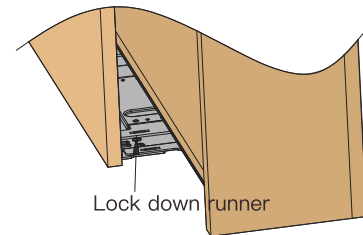
11. Install down runner



12. Adjust gap of side panel to make two doors level

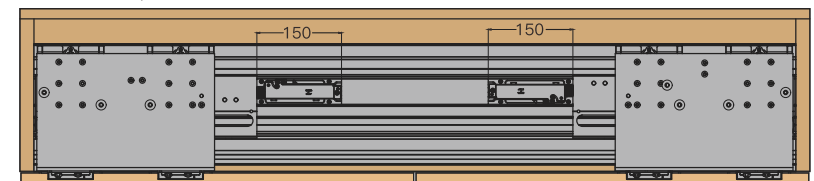


12.2 Pull door and Lock down runner

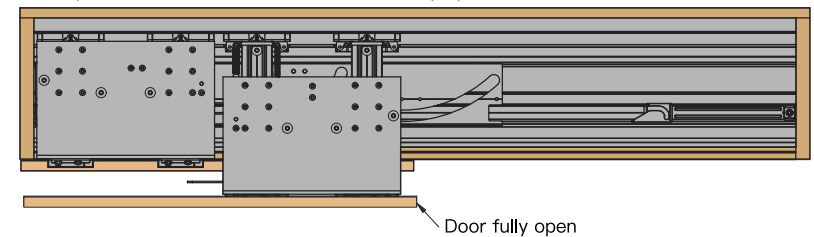


13. Adjust damper position

13.1 Fix damper



13.2 Open door to check that the doors is fully open



14. According to weight of door, increase or decrease the spring

When the door weight $\leq 40\text{kg}$
or closing speed is too fast,
Please remove the spring.

