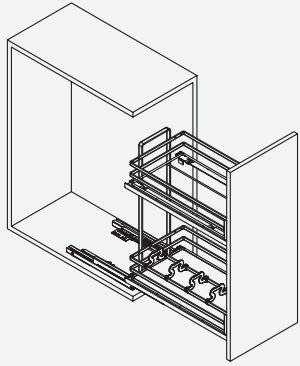















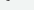
Pull-out two layer basket

Notes

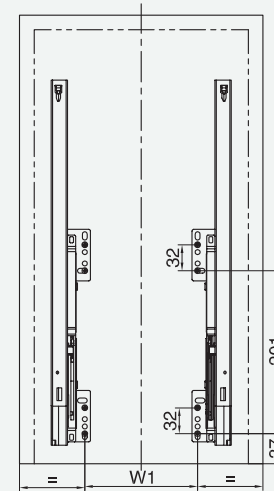
The standard dimensions for the cabinet are: depth 550mm, height ≥ 650 mm, cabinet thickness 16-18mm



Accessory list

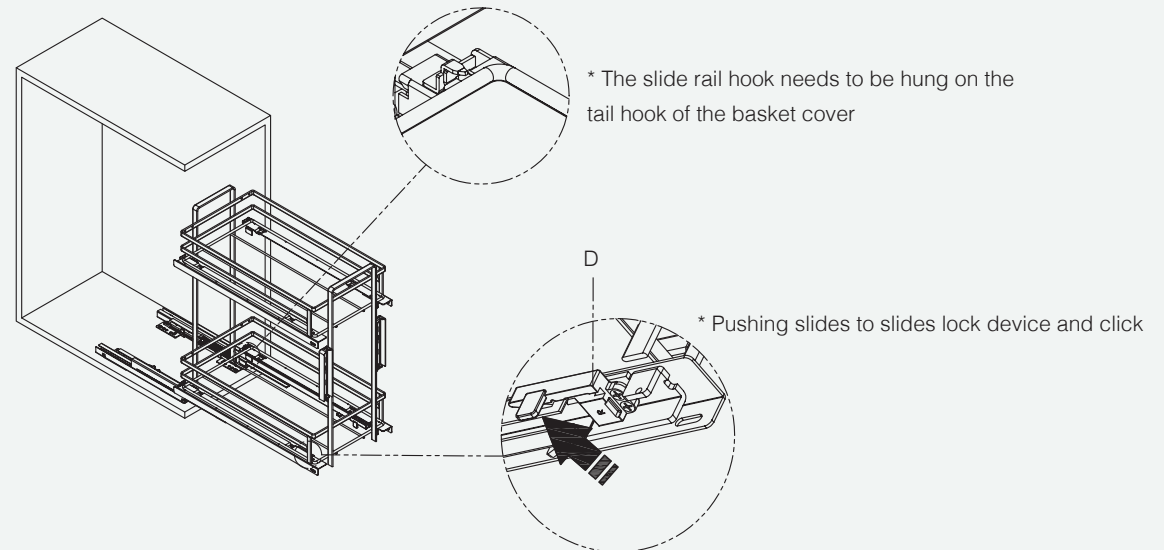
	Item	No.	Qty.
	Basket	A	1 pcs
	Slides	B	1 set
	Matt	C	2 pcs
	Slides lock (Assembled)	D	2 pcs
	Split rod (Assembled)	E	1 pc
	Plastic split piece (Assembled)	F	4 pcs
	Door connector	G	2 pcs
	M5x13	H	4 pcs
	M5x15	I	2 pcs
	M5x20	J	2 pcs
	ST4x16	K	8 pcs
	ST4x16	L	8 pcs
	Plastic dowel	M	8 pcs
	M4x10	N	4 pcs

1. Drill holes in the cabinet bottom panel according to the required dimensions. Inserting (M) to drilling holes. Then, fixing slides by (K).

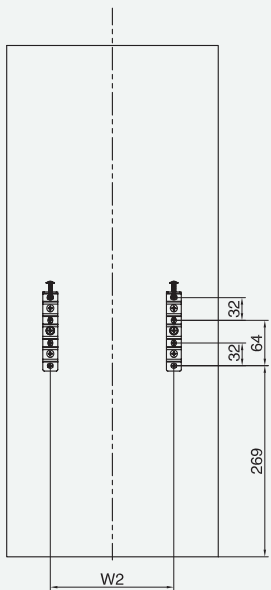
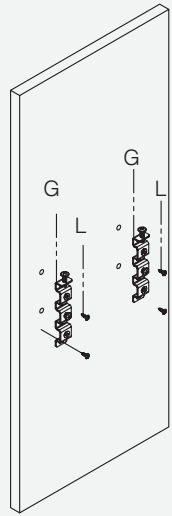


Product size	W1
300mm width	139
400mm width	239

2. Assembling basket with slides

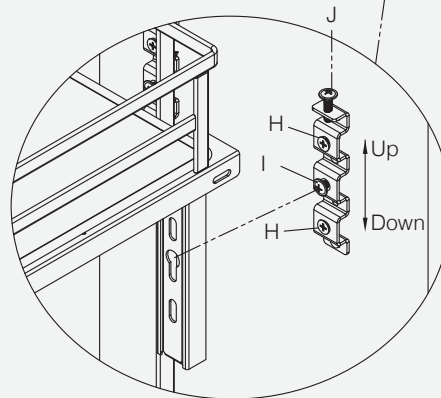
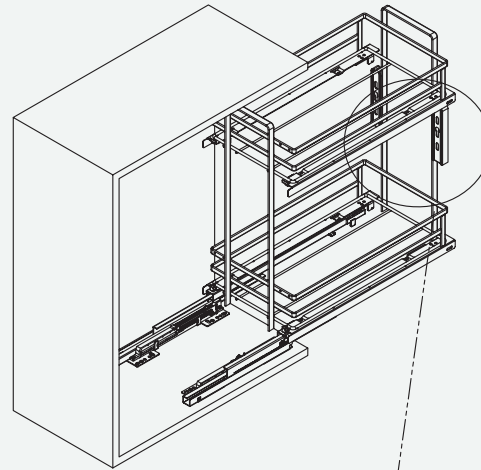


3. Fixing (G) by (L)



Product size	W1
300mm width	174
400mm width	274

4. Assemble front panel with basket and adjusted



5. Put (C); (E) and (G) on the basket

